



FAG

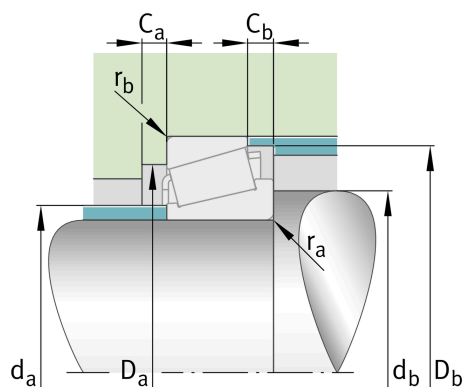
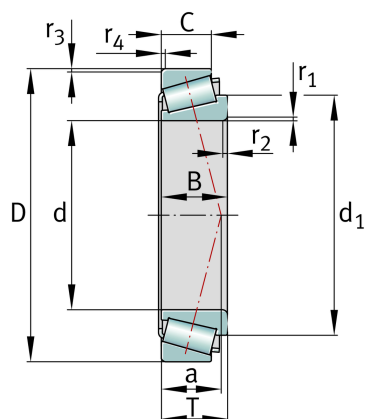
## KLM12749-LM12711

Tapered roller bearing

Schaeffler ID:  
0192021300000

Tapered roller bearings K-Series, in inch sizes, separable, adjusted or in pairs

## Technical information



## Main Dimensions &amp; Performance Data

d	21.986 mm	Bore diameter
D	45.974 mm	Outside diameter
B	16.637 mm	Width, inner ring
C	12.065 mm	Width, outer ring
T	15.494 mm	Width, total
$C_r$	28,500 N	Basic dynamic load rating, radial
$C_{0r}$	32,000 N	Basic static load rating, radial
$C_{ur}$	3,600 N	Fatigue load limit, radial
$n_G$	16,900 1/min	Limiting speed
	0.126 kg	Weight

## Mounting dimensions

$d_{a \max}$	26 mm	Maximum diameter of shaft shoulder
$d_{b \min}$	27.5 mm	Minimum diameter of shaft shoulder
$C_{a \min}$	3 mm	Minimum axial space
$C_{b \min}$	3 mm	Minimum axial space
$r_{a \max}$	1.3 mm	Maximum fillet radius of shaft

## Dimensions

$r_{1, 2 \min}$	1.3 mm	Minimum chamfer dimension of inner ring back face
$r_{3, 4 \min}$	1.3 mm	Minimum chamfer dimension of outer ring back face
a	10 mm	Distance between the apexes of the pressure cones
$d_1$	34.8 mm	Guidance rib diameter of inner ring

## Temperature range

$T_{\min}$	-30 °C	Operating temperature min.
$T_{\max}$	120 °C	Operating temperature max.

**Calculation factors**

e	0.31	Limiting value of $F_a/F_r$ for the applicability of diff. Values of factors X and Y
Y	1.96	Dynamic axial load factor
$Y_0$	1.08	Static axial load factor